

user's manual

eng



**NVC-GDN3810H/IR**  
**NVC-GDN3810H/IRH**

**NOVUS<sup>®</sup>**

## INFORMATION

---

---

### EMC (2004/108/EC) and LVD (2006/95/EC ) Directives



#### CE Marking

Our products are manufactured to comply with the requirements of the following directives and national regulations implementing the directives:

- Electromagnetic compatibility EMC 2004/108/EC.
- Low voltage LVD 2006/95/EC with further amendment. The Directive applies to electrical equipment designed for use with a voltage rating of between 50VAC and 1000VAC as well as 75VDC and 1500VDC.

eng



### WEEE Directive 2002/96/EC

#### Information on Disposal for Users of Waste Electrical and Electronic Equipment

This appliance is marked according to the European Directive on Waste Electrical and Electronic Equipment (2002/96/EC) and further amendments. By ensuring this product is disposed of correctly, you will help to prevent potential negative consequences for the environment and human health, which could otherwise be caused by inappropriate waste handling of this product.

The symbol on the product, or the documents accompanying the product, indicates that this appliance may not be treated as household waste. It shall be handed over to the applicable collection point for used up electrical and electronic equipment for recycling purpose. For more information about recycling of this product, please contact your local authorities, your household waste disposal service or the shop where you purchased the product.

### RoHS Directive 2002/95/EC



Out of concern for human health protection and friendly environment, we assure that our products falling under RoHS Directive regulations, regarding the restriction of the use of hazardous substances in electrical and electronic equipment, have been designed and manufactured in compliance with the above mentioned regulations. Simultaneously, we claim that our products have been tested and do not contain hazardous substances whose exceeding limits could have negative impact on human health or natural environment.

### Information

The device, as a part of professional CCTV system used for surveillance and control, is not designed for self installation in households by individuals without technical knowledge.

The manufacturer is not responsible for defects and damages that result from improper or inconsistent with user's manual installation of the device in the system.

## SAFETY REQUIREMENTS

---

---

### **WARNING!**

THE KNOWLEDGE OF THIS MANUAL IS AN INDESPENSIBLE CONDITION OF A PROPER DEVICE OPERATION. YOU ARE KINDLY REQUESTED TO FAMILIRIZE YOURSELF WITH THE MANUAL PRIOR TO INSTALLATION AND FURTHER DEVICE OPERATION.



### **WARNING!**

USER IS NOT ALLOWED TO DISASSEMBLE THE CASING AS THERE ARE NO USER-SERVICEABLE PARTS INSIDE THIS UNIT. ONLY AUTHORIZED SERVICE PERSONNEL MAY OPEN THE UNIT

INSTALLATION AND SERVICING SHOULD ONLY BE DONE BY QUALIFIED SERVICE PERSONNEL AND SHOULD CONFORM TO ALL LOCAL REGULATIONS

### **WARNING!**

PRIOR TO UNDERTAKING ANY ACTION THAT IS NOT DESCRIBED FOR THE GIVEN PRODUCT IN USER'S MANUAL AND OTHER DOCUMENTS DELIVERED WITH THE PRODUCT, OR IF IT DOES NOT ARISE FROM THE USUAL APPLICATION OF THE PRODUCT, MANUFACTURER MUST BE CONTACTED UNDER THE RIGOR OF EXCLUDING THE MANUFACTURER'S RESPONSIBILITY FOR THE RESULTS OF SUCH AN ACTION.

## **IMPORTANT SAFEGUARDS AND WARNINGS**

1. Prior to undertaking any action please consult the following manual and read all the safety and operating instructions before starting the device.
2. Please keep this manual for the lifespan of the device in case referring to the contents of this manual is necessary;
3. All the safety precautions referred to in this manual should be strictly followed, as they have a direct influence on user's safety and durability and reliability of the device;
4. All actions conducted by the servicemen and users must be accomplished in accordance with the user's manual;
5. The device should be disconnected from power sources during maintenance procedures;
6. Usage of additional devices and components neither provided nor recommended by the producer is forbidden;
7. Mounting the device in places where proper ventilation cannot be provided (e. g. closed lockers etc.) is not recommended since it may lead to heat build-up and damaging the device itself as a consequence;
8. Mounting the camera on unstable surface or using not recommended mounts is forbidden. Improperly mounted camera may cause a fatal accident or may be seriously damaged itself. The camera must be mounted by qualified personnel with proper authorization, in accordance with this user's manual;

## SAFETY REQUIREMENTS

---

---

9. Device should be supplied only from a power sources whose parameters are in accordance with those specified by the producer in the camera technical datasheet. Therefore, it is forbidden to supply the camera from a power sources with unknown parameters, unstable or not meeting producer's requirements;
10. Signal cables (conducting TV or / and telemetric signal) should be placed in a way excluding the possibility of damaging them by accident. Special attention must be paid to cables getting from the camera and connecting the power supply;
11. To avoid equipment damage, whole TV circuit should be equipped with properly made discharge-, overload- and lightning protection devices. Usage of separating transformers is advised;
12. Electric installation supplying the device should be designed to meet the specifications given by the producer in such a way that overloading is impossible;
13. User cannot repair or upgrade the equipment himself. All maintenance actions and repairs should be conducted only by qualified service personnel;
14. Unplug the camera from the power source immediately and contact the proper maintenance department when the following occurs:
  - ◆ Damages to the power cord or to the plug itself;
  - ◆ Liquids getting inside the device or exposure to strong mechanical shock;
  - ◆ Device behaves in a way not described in the manual and all adjustments approved by the manufacturer and possible to apply by user himself, seem not to have any effect;
  - ◆ Camera is damaged;
  - ◆ Atypical behaviour of the camera components may be seen (heard).
16. In necessity of repairs attention to using only original replacement parts (with their parameters in accordance with those specified by the producer) should be paid. Non-licensed service and non-genuine replacement parts may cause fire or electrocution;
17. After maintenance activities tests should be run to ensure proper operation of all the functional components of the device.

### **Attention!**

**Technical changes reserved without prior notice and printing errors possible.**

## FOREWORD INFORMATION

---

---

### 1. PACKAGE CONTENTS

- Video camera
- User's manual
- Allen key
- Extra video output cable
- Screws, 3 pc.

If any of the listed equipment has been damaged during transport or if the package is incomplete, the contents of package should be packed back in to the original box. Please contact your local NOVUS distributor for further assistance.

eng

### 2. MAIN CHARACTERISTICS

- Mechanical IR cut filter
- IR operation capability
- Horizontal resolution: up to 700 TVL
- Min. Illumination: from 0.00002 lx/F=1.2 (DSS) (0 lx IR on)
- Digital Slow Shutter (DSS)
- Wide dynamic range (WDR)
- High Light Compensation (HLC)
- Digital Image Stabilizer (DIS)
- Digital Noise Reduction (DNR)
- Lens type: auto-iris DC lens, f=2.5~12 mm
- Privacy zones: 12
- Other functions: various picture effects, motion detection (4 zones)
- Built-in IR illuminator: 30 LED
- Built-in heater (NVC-GDN3810H/IRH)
- Degree of protection: IP66
- Power supply: 12 VDC

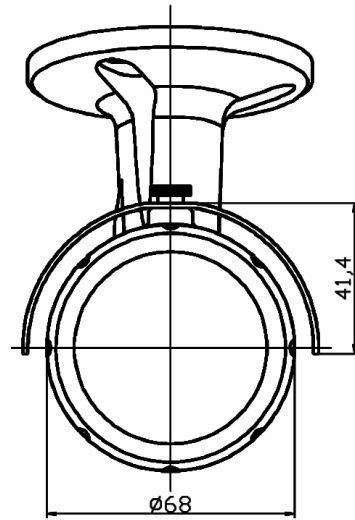
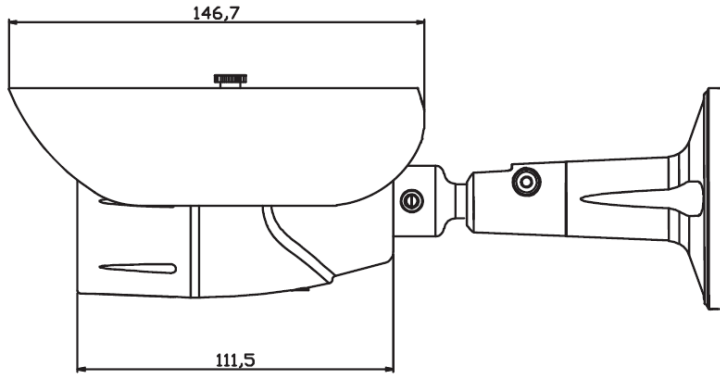
## FEATURES AND SPECIFICATION

### 3. SPECIFICATION

Model	NVC-GDN3810H/IR	NVC-GDN3810H/IRH
Pick-up element	1/3" SONY EXview HAD II CCD imager	
Horizontal resolution	650 TVL – color mode, 700 TVL – B/W mode	
Min. illumination	0.1 lx/F=1.2 - color mode (1/50 s), 0.01 lx/F=1.2 - B/W mode (1/50s), 0.0002 lx/F=1.2 - color mode DSS, 0.00002 lx/F=1.2 - B/W mode DSS, 0 lx (IR włączony) - B/W mode	
S/N Ratio	52 dB (AGC off)	
Electronic Shutter	Auto (AES): 1/50 s ~ 1/120 000 s	
Digital Slow Shutter (DSS)	1/25 s ~ 10.24 s	
Auto Gain Control (AGC)	On/Off (2 levels)	
Wide Dynamic Range (WDR)	On/Off	
White Balance	5 modes: Manual/AWC/Outdoor/Indoor/ATW	
Backlight Compensation (BLC)	On/Off (3 modes)	
High light Compensation (HLC)	On/Off (3 modes)	
Synchronization	Internal	
Day/Night Switching	Auto/Manual	
Filter Delay	3 s/5 s/7 s/10 s/15 s/20 s/30 s/40 s/60 s	
Flickerless Function	On/Off	
Privacy Zones	12	
Lens type	auto iris DC lens f=2.5~12mm	
Angle of view (H)	28° ~ 102°	
IR LED	30 pcs.	
IR effective range	30 m	
Set-up	Multi-lingual On Screen Display (OSD)	
Other Functions	Digital Image Stabilizer (DIS), Digital Noise Reduction (DNR), Motion detection, Various picture effects: Mirror (horizontal) and 180° image rotation, Image sharpness adjustment	
Degree of protection	IP 66	
Video Output	1.0Vp-p/75 Ohm (BNC)	
Power Supply	12 V DC± 10%	
Power Consumption	4.6W, 5.4W (IR on)	4.6 W, 5.4W (IR on), 7.4W (IR on & heater on)
Operating Temperature	-10°C ~ 50°C	-40°C ~ 50°C
Dimensions (mm)	66 (Ø) x 296 (L)	
Weight	600 g	610 g

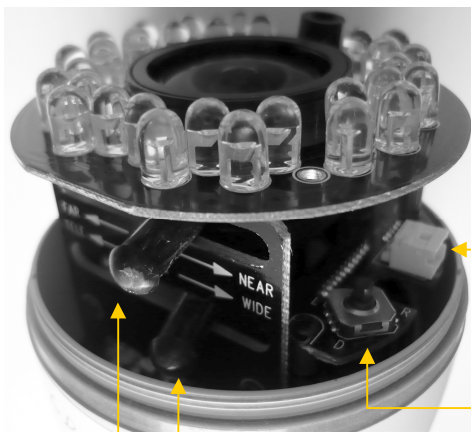
## FEATURES AND SPECIFICATION

### 3.1 Dimensions



### 3.2. View of the camera, layout of the camera items

Bottom view, after unscrewing the protective cap:



Additional video output

Joystick implementing up/down/right/left/set up commands

Focus adjustment lever

Zoom adjustment lever

Light sensor

IR LED

eng

## INSTALLATION

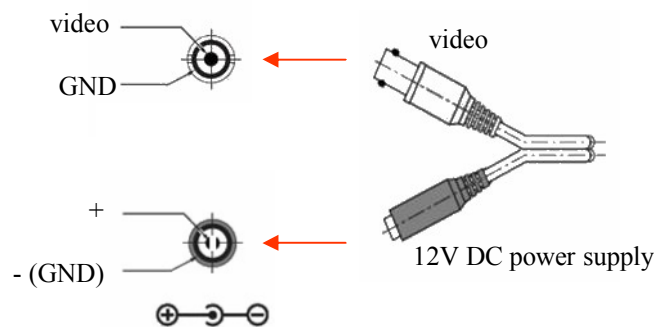
---

### 4.3 Power supply connection

**Warning:** Device should be supplied only from a power sources whose parameters are in accordance with those specified by the producer in the camera technical datasheet. Therefore, it is forbidden to supply the camera from power sources with their parameters unknown, unstable or not meeting the producer's requirements.

See the power supply terminal connections below.

- NVC-GDN3810H/IR is 12V DC supplied.



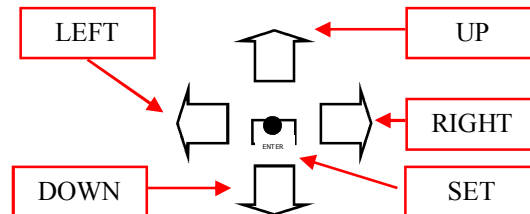
eng



## 5. SETTINGS

Camera features the OSD menu. During camera standard operation status information may be displayed on the screen.

As it has been mentioned before, a joystick located at the camera's bottom control panel, available after unscrewing the protective cap, is dedicated for navigation and changing the settings. Available joystick movements and commands associated with these, are listed below:



In order to enter the menu please press the joystick, executing the **SET** command. For choosing the submenus please move the joystick **UP**, **DOWN**. Enter particular sub-menus by pressing the **SET** button. To change the parameters use the **LEFT** and **RIGHT** commands.

In order to leave the menu select **EXIT** and press **SET**. Depending on the value of the parameter located to the right of the **EXIT** text, different actions are taken when exiting:

- selecting **SAVE** and pressing **SET** means that the changes that have been made are saved and are kept even when the camera restarts.
- selecting **NOT SAVE** and pressing **SET** means that the changes that have been made are temporary and will be cancelled once the camera restarts.
- selecting **RESET** and pressing **SET** results in restoring factory defaults.

To exit submenu please select **RETURN** position, and when **Press SET to Return** message is displayed at the bottom part of the screen press **SET** to leave the menu .

After one minute of inactivity in the menu camera will automatically exit from the programming mode.

### 5.1 Main menu

In order to enter the menu press the **SET** . The following main menu is displayed on the screen:

MAIN SETUP	
▶ 1.LENS	DC↵
2.EXPOSURE↵	
3.WHITE BAL	ATW
4.SSDR	OFF
5.BACKLIGHT	HLC↵
6.DNR3	ON↵
7.DAY/NIGHT	COLOR
8.SPECIAL↵	
9.EXIT	SAVE

## SETTINGS

### 5.1.1 LENS submenu

This submenu allows for setting the lens parameters.

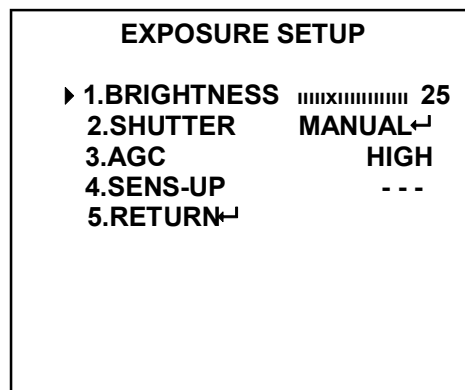
**LENS** Lens operating mode.

**MANUAL** Manual settings of the lens operating mode. For that setting a submenu that allows for adjusting the **BRIGHTNESS** level in the range from 1 to 70 is available.

**DC** Automatic lens mode. For that setting a submenus that allow for adjusting the BRIGHTNESS level in the range from 1 to 70, the iris speed **IRIS SPEED** and the precise setting of image sharpness **FOCUS ADJ** are available.

### 5.1.2 EXPOSURE submenu

This submenu allows for choosing and changing the settings of the parameters connected with AE and controlling the iris.



**BRIGHTNESS** Selection of brightness level in the range from 1 to 70.

**SHUTTER** Selection of shutter mode.

- - - Automatically sets the shutter speed according to present light conditions. This option is available when **DC** or **VIDEO** option is selected in the **LENS** submenu.

**A.FLK (FLICKERLESS)** The mode of flicker reduction in variable light conditions is equal to the shutter speed of 1/120s. This mode is available for any setting selected in the **LENS** position.

**ESC** This option will control the shutter speed automatically depending of the light conditions. For that setting a submenu that allows for setting **MIN** and **MAX** speed of the shutter is available.

**MANUAL** Manual setting of the shutter speed. For that setting a submenu that allows for setting the shutter speed (**SHUTTER**) in the range from 1/120000s to 512x(1/50s) is available.

**AGC** Automatic Gain Control function. When **OFF** is selected, the function is switched off. When **NORMAL** is selected, the function is working with camera sensitivity smaller than the light intensity changes. When **HIGH** is selected, the function is providing bigger camera sensitivity than the light intensity changes. Please remember that increasing gain results in increasing brightness and noise level as well.

**SENS - UP** Low shutter mode function. **OFF** - the function is switched off, **AUTO** - in low light conditions function automatically sets low shutter speed. After pressing **SET** button in this mode it is possible to set the multiplier of the basic shutter speed (1/50s in **AUTO** mode) in the range from x2 to x512.

This function is switched off when AGC is off or shutter mode is **A.FLK** or **MANUAL**.

Please remember that together with selecting higher values from the low shutter range the image becomes brighter but simultaneously the noise level goes up and moving objects become blurred.

### 5.1.3 WHITE BAL submenu

This feature allows for setting appropriate color settings in various color temperature conditions.

**WHITE BAL** White balance mode

**ATW** This mode (Auto Tracking White Balance) can be used in the 1700°K ~ 11000° color temperature range.

**MANUAL** Manual mode settings. In case of inappropriate color settings for **ATW**, **AWC** modes it is possible to set **RED** and **BLUE** color values manually . The range of changes is from 0 to 900 and is displayed as a line. The changes are seen immediately. The lines of changes are active only in WB manual mode.

**AWC→SET** This mode (Auto White balance Control) allows for adaptive setting of white balance. In order to obtain the optimum state under the current illumination, direct the camera at a sheet of white paper and press **SET** button. When lighting parameters change ( e.g. light bulbs changed to halogen lamps, daylight to artificial light etc. ), procedure mentioned above should be repeated.

**OUTDOOR** This mode (Auto Tracking White Balance) can be used in the 1700°K ~ 11000°K color temperature range (e.g. when using sodium vapour lamps).

**INDOOR** This mode (Auto Tracking White Balance) can be used in the 4500°K~8500°K color temperature range (e.g. when using the camera inside the house).

### 5.1.4 SSSDR submenu (Wide dynamic range)

This function allows to effectively observe the scene with different illumination level. Function can be enabled (**ON**) or disabled (**OFF**). When **ON** is selected, a submenu that allows for setting the function intensity level in the range from 1 to 15 becomes available.

## SETTINGS

---

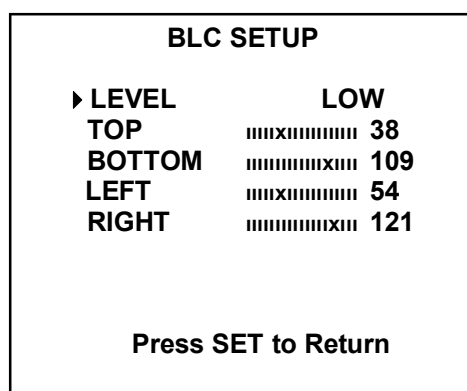
### 5.1.5 **BACKLIGHT** submenu

These compensation functions allow for enhancing visibility of the objects located in the foreground, surrounded by strongly illuminated background (BLC) or for enhancing visibility of the objects located near the strong light source (HLC).

**BACKLIGHT** Backlight compensation mode.

**OFF** Function OFF.

**BLC** BLC function allows for enhancing visibility of the objects located in the foreground, surrounded by strongly illuminated background. After pressing **SET** button in this mode submenu depicted below appears:

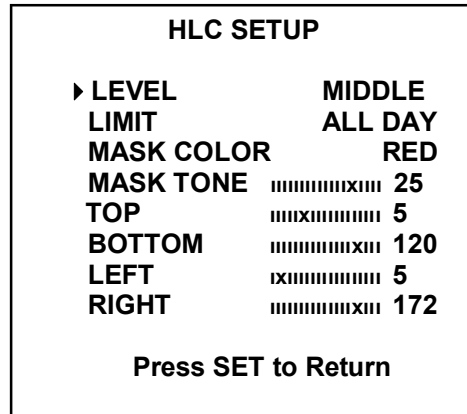


Submenu presented above allows for setting the size and location of the area where the **BLC** function will be active, furthermore it allows for setting the sensitivity of the function.

- LEVEL** Select the intensity of the function from available: **LOW, MIDDLE, HIGH**
- TOP** Move upper part of the area up or down.
- BOTTOM** Move bottom part of the area up or down
- LEFT** Move left part of the area left or right side.
- RIGHT** Move right part of the area left or right side.

**HLC** High light compensation function. It allows for enhancing visibility of the objects located near the strong, point light source. If a strong, point light source appears on the screen, function will mask it allowing for effective observation of the scene itself (this function is best used to, for example, observe licence-plates of the cars).

Press the **SET** please, to display below submenu.



Submenu allows to set the size and location of the area in which the HLC function analyzes the level of illumination and sets the other HLC function options described below.

- LEVEL** Adjust level of the HLC function from available: **LOW, MIDDLE HIGH.**
- LIMIT** Sets the lighting threshold that, when exceeded, activates the function.
  - ALL DAY** Threshold is set to low variations in illumination level.
  - NIGHT ONLY** Threshold is set to high variations in illumination level.
- MASK COLOR** Select the colour of the masking area from available: **RED, BLUE, CYAN, MAGENTA, BLACK.**
- MASK TONE** Adjusts opacity of masking area.
- TOP** Moves upper part of the area up or down.
- BOTTOM** Moves bottom part of the area up or down
- LEFT** Moves left part of the area left or right side.
- RIGHT** Moves right part of the area left or right side.

**Note:** **HLC** function works only in the low-light conditions. It is activated automatically when level of the light is low enough for the function to execute properly and when a strong point light source appears on the screen.

Because the effectiveness of **HLC** function relies mostly on the amount of light area in the screen, optimize the installation angle for the best **HLC** performance.

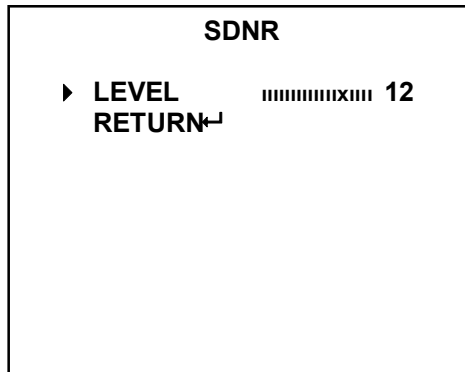
## SETTINGS

### 5.1.6 DNR3 (Digital Noise Reduction) submenu

This submenu allows for changing digital noise reduction settings.

- DNR** Digital Noise Reduction function.
- ON** Digital Noise Reduction function ON.
- OFF** Digital Noise Reduction function OFF.

After selecting **ON** press the **SET** please, to display submenu allowing for adjustment of the digital noise reduction level, as depicted below.

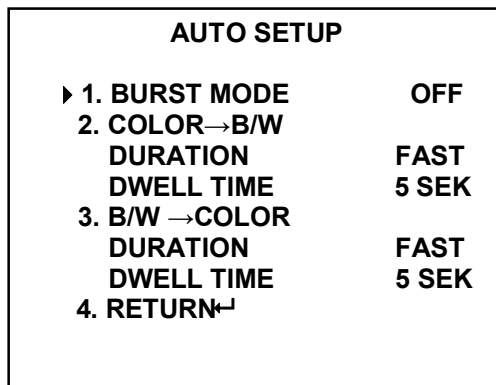


**Note:** While working in DNR mode, image quality might slightly worsen. Digital noise reduction function is disabled when the **AGC** function is off.

### 5.1.7 DAY / NIGHT submenu

- DAY / NIGHT** Selects operating mode of the IR cut filter.
- AUTO** Camera switches between night (b/w) and day (color) mode automatically, depending on current illumination conditions.

After pressing **SET** button the submenu depicted below appears.



**BURST MODE** Enable (**ON**) or disable (**OFF**) the BURST (color burst) signal.

**COLOR→B/W** Allows for configuring the switching from b/w to color mode.

**DURATION** Selects color to b/w switching speed from available: **FAST, SLOW**

**DWELL TIME** Sets the delay between color and b/w mode switching. Values range from 3 to 60 sec.

**B/W→COLOR** Allows for configuring the switching from b/w to color mode.

**DURATION** Selects b/w to color switching speed from available: **FAST, SLOW**

**DWELL TIME** Sets the delay between b/w and color modes switching. Values range from 3 to 60 sec.

**EXTERN** Not available.

**COLOR** Camera works permanently in color mode.

**B/W** Camera works permanently in B/W mod. For that setting a submenu that allows for enabling or disabling the **BURST MODE** is available.

### 5.1.8 SPECIAL submenu

This submenu allows for setting the additional functions available in the camera.

SPECIAL	
1. IMAGE ADJ↵	
2. CAM TITLE	OFF
3. SYNC	INT
4. MOTON	OFF
5. PRIVACY	OFF
6. DIS	OFF
7. PROFILE	USER
8. COMM ADJ↵	
9. RETURN↵	

**IMAGE ADJ.** Allows for enabling the additional picture effects.

**MONITOR** Allows for configuring camera picture parameters, depending on the type of monitor used.

**LCD** Allows for configuring the camera to enhance its LCD monitor cooperation capabilities, pressing **SET** displays additional submenu which allows for adjustment the LCD monitor display settings.

**USER** Allows for configuring the camera to enhance its monitor (of non-standard types) cooperation capabilities, pressing **SET** displays additional submenu which allows for adjustment the display settings.

**CRT** Allows for configuring the camera to enhance its CRT monitor cooperation capabilities, pressing **SET** displays additional submenu which allows for adjustment the CRT monitor display settings.

## SETTINGS

**REVERSE** flips the picture:

**OFF** - Function off.

**V - REV** Flips the picture vertically,

**H - REV** Flips the picture horizontally (Mirror)

**HV - REV** Rotate 180 degree the picture;

**PIP** - (Picture in Picture) Function displays a full-size image in the thumbnail. Used in digital zoom mode. The position of the thumbnail is adjustable.

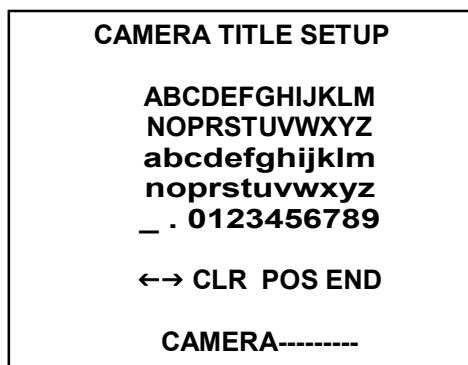
**D - ZOOM** Digital zoom function. After selecting **ON**, pressing the **SET** displays additional submenu which allows for adjusting the digital zoom level, ranging from x0.1 to x16, **OFF** - function off.

**FONT COLOR** Selects the OSD font color

**SHARPNESS** Screen sharpness function. After selecting **ON**, pressing **SET** displays additional submenu which allows for sharpness level adjustment, ranging from 1 to 20. **OFF** - function off. If the **SHARPNESS** level is too high the picture may become distorted or noisy.

**LANGUAGE** Selects OSD language from available: ENGLISH, GERMAN, ITALIAN, FRENCH, SPANISH, RUSSIAN, CZECH, ROMANIAN, SERBIAN, SWEDISH, DANISH, TURKISH, PORTUGUESE, THAI.

**CAM TITLE** After selecting **ON** and pressing **SET**, a sub-menu appears, allowing for entering a string of characters that later is displayed on the screen, e.g. as camera title. Title may consist of up to 15 characters. Please select desired characters from the virtual keyboard, which becomes available after pressing **SET**.



Screen contains mainly alphanumerical characters, which may be used in camera's title. Select desired character and please apply it by pressing **SET** key. Currently edited title is visible at the bottom of the screen. A line just above it contains buttons for editing the title. To enable particular functions, please highlight them as normal characters and confirm by pressing **SET** key. Button functions are described below:

← Moves character highlight cursor left.

→ Moves character highlight cursor right

**POS** Allows for adjusting the position of entered characters.

**CLR** Erases the whole title.

**END** Exits title editing menu.

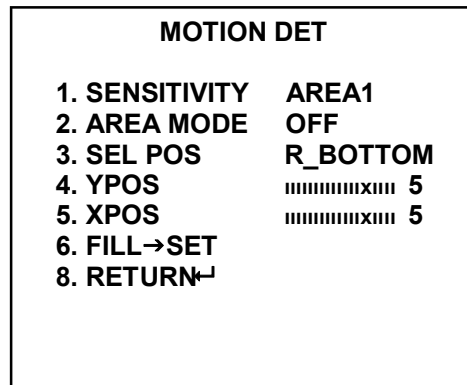


**SYNC** Selects synchronization mode.

**INT** Internal synchronization.

**MOTION** This menu allows (provided, that **ON** option is selected) for turning a built-in motion detection feature on or off. Motion detection may simultaneously be conducted in eight independent zones (with their size and location selectable by user). Detection of motion with **MOTION DET** turned on results in **Motion Detected** message being displayed on the screen.

After selecting **ON** and pressing SET the submenu below is displayed, which allows for adjusting the motion detection function parameters.



**SENSITIVITY** Selects one of eight available motion detection zones (**AREA1, AREA2, AREA3, AREA4**). Each zone has different sensitivity level. The higher number, the higher sensitivity.

**AREA MODE** Turns motion detection in selected zone on or off.

**SEL POS** Selects edge of the area so its position can be changed.

**L\_BOTTOM** Left bottom area corner.

**R\_BOTTOM** Right bottom area corner.

**L\_TOP** Left top area corner.

**R\_TOP** Right top area corner.

**YPOS** Change the selected area corner position toward vertical axis.

**XPOS** Change the selected area corner position toward horizontal axis.

**FILL->SET** After pressing **SET** button actually selected area will appear on the first plan.

**Note:** Disabling privacy zones prior to setting motion detection parameters is advised.

**PRIVACY** Allows for enabling privacy zones (when turned **ON**). If this option is turned on, desired part of the screen is masked using four rectangular zones.

Pressing **SET** displays submenu which allows for adjusting privacy settings.

## SETTINGS

PRIVACY AREA SETUP	
1. AREA	AREA1
2. MODE	ON
3. MASK COLOR	GRAY
4. MASK TONE	x      4
5. TOP	x      39
6. BOTTOM	x      79
7. LEFT	x      13
7. RIGHT	x   52
8. RETURN	

**AREA SEL** Selects one of twelve available privacy zones: **AREA1, AREA2... AREA12.**

**MODE** Turns selected privacy zone displaying on or off. After selecting **ON** and pressing **SET** displays submenu allowing for selected privacy zone location and size adjustment.

**MASK COLOR** Allows for setting the color of all privacy zones. Available colours: **GREEN, RED, BLUE, BLACK, WHITE, GRAY.**

**MASK TONE** Allows for adjusting brightness of masking zones in the range from 1 to 10.

**TOP** Moves upper part of the area up or down.

**BOTTOM** Moves bottom part of the area up or down

**LEFT** Moves left part of the area left or right side.

**RIGHT** Moves right part of the area left or right side.

**DIS** Digital image stabilization function. It eliminates any picture movement which may occur due to external factors, such as wind. **ON** - function on, **OFF** function off.

**Note:** Turning on the **DIS** function narrows the camera's field of view. When using **DIS** function a decrease in resolution is possible, due to fact that the function uses digital zoom

**PROFILE** Predefined mode according to the picture condition

**BASIC** - Profile optimized to the most common environment condition.

**DAY/NIGHT** - Profile optimized to the day or night conditions, respectively.

**BACKLIGHT** - Profile optimized to distinguish the object from the background in a backlighting scene.

**ITS** - Profile optimized to the traffic conditions.

**INDOOR** - Profile optimized to a regular indoor lighting condition.

**USER** - Profile for custom user settings.

**COMM ADJ** Unavailable.

**NOTES**

---

---

eng

**noVus<sup>®</sup>**

2013-06-27 PR, MM

AAT Holding sp. z o.o., ul. Puławska 431, 02-801 Warszawa, Polska  
tel.: 22 546 07 00, faks: 22 546 07 59  
[www.novuscctv.com](http://www.novuscctv.com)

# instrukcja obsługi



pl



**NVC-GDN3810H/IR**  
**NVC-GDN3810H/IRH**

**NOVUS®**

## INFORMACJE

---

---

Dyrektywy EMC (2004/108/EC) i LVD (2006/95/EC)



### Oznakowanie CE

Nasze produkty spełniają wymagania zawarte w dyrektywach oraz przepisach krajowych wprowadzających dyrektywy: Kompatybilność elektromagnetyczna EMC 2004/108/EC. Niskonapięciowa LVD 2006/95/EC. Dyrektywa ma zastosowanie do sprzętu elektrycznego przeznaczonego do użytkowania przy napięciu nominalnym od 50VAC do 1000VAC oraz od 75VDC do 1500VDC.

### Dyrektywa WEEE 2002/96/EC



#### Informacja dla użytkowników o pozbywaniu się urządzeń elektrycznych i elektronicznych

Niniejszy produkt został oznakowany zgodnie z Dyrektywą WEEE (2002/96/EC) oraz późniejszymi zmianami, dotyczącą zużytego sprzętu elektrycznego i elektronicznego. Zapewniając prawidłowe złomowanie przyczyniają się Państwo do ograniczenia ryzyka wystąpienia negatywnego wpływu produktu na środowisko i zdrowie ludzi, które mogłoby zaistnieć w przypadku niewłaściwej utylizacji urządzenia.

Symbol umieszczony na produkcie lub dołączonych do niego dokumentach oznacza, że nasz produkt nie jest klasyfikowany jako odpad z gospodarstwa domowego. Urządzenie należy oddać do odpowiedniego punktu utylizacji odpadów w celu recyklingu. Aby uzyskać dodatkowe informacje dotyczące recyklingu niniejszego produktu należy skontaktować się z przedstawicielem władz lokalnych, dostawcą usług utylizacji odpadów lub sklepem, gdzie nabyto produkt.

### Dyrektywa RoHS 2002/95/EC



#### Informacja dla użytkowników dotycząca ograniczenia użycia substancji niebezpiecznych w sprzęcie elektrycznym i elektronicznym.

W trosce o ochronę zdrowia ludzi oraz przyjazne środowisko zapewniamy, że nasze produkty podlegające przepisom dyrektywy RoHS, dotyczącej użycia substancji niebezpiecznych w sprzęcie elektrycznym i elektronicznym, zostały zaprojektowane i wyprodukowane zgodnie z wymaganiami tej dyrektywy. Jednocześnie zapewniamy, że nasze produkty zostały przetestowane i nie zawierają substancji niebezpiecznych w ilościach mogących niekorzystnie wpływać na zdrowie człowieka lub środowisko naturalne.

### Informacja

Urządzenie, jako element profesjonalnego systemu telewizji dozorowej służącego do nadzoru i kontroli, nie jest przeznaczone do samodzielnego montażu w gospodarstwach domowych przez osoby nie posiadające specjalistycznej wiedzy. Producent urządzenia nie ponosi odpowiedzialności za wady i uszkodzenia wynikające z niewłaściwej lub niezgodnej z instrukcją obsługi instalacji urządzenia w systemie.

## WARUNKI BEZPIECZEŃSTWA

---

---

### UWAGA!

ZNAJOMOŚĆ NINIEJSZEJ INSTRUKCJI JEST NIEZBĘDNYM WARUNKIEM PRAWIDŁOWEJ EKSPLOATACJI URZĄDZENIA.



PROSIMY O ZAPOZNANIE SIĘ Z NIĄ PRZED PRZYSTĄPIENIEM DO INSTALACJI I OBSŁUGI KAMERY.

### UWAGA !

NIE WOLNO DOKONYWAĆ ŻADNYCH SAMODZIELNYCH NAPRAW. WSZYSTKIE NAPRAWY MOGĄ BYĆ REALIZOWANE JEDYNIEM PRZEZ WYKWALIFIKOWANYCH PRACOWNIKÓW SERWISU.

pl

## WARUNKI BEZPIECZEŃSTWA

1. Przed zainstalowaniem i rozpoczęciem eksploatacji należy dokładnie zapoznać się z niniejszą instrukcją obsługi i zawartymi w niej wymogami bezpieczeństwa;
2. Uprasza się o zachowanie instrukcji na czas eksploatacji kamery na wypadek konieczności odniesienia się do zawartych w niej treści;
3. Należy skrupulatnie przestrzegać wymogów bezpieczeństwa opisanych w instrukcji, gdyż mają one bezpośredni wpływ na bezpieczeństwo użytkowników i trwałość oraz niezawodność urządzenia;
4. Wszystkie czynności wykonywane przez instalatorów i użytkowników muszą być realizowane zgodnie z opisem zawartym w instrukcji;
5. W czasie czynności konserwatorskich urządzenie musi być odłączone od zasilania;
6. Nie wolno stosować żadnych dodatkowych urządzeń lub podzespołów nie przewidzianych i nie zalecanych przez producenta;
7. Nie należy instalować tego urządzenia w miejscu, gdzie nie można zapewnić właściwej wentylacji (np. zamknięte szafki, itp.), co powoduje zatrzymanie się ciepła i w konsekwencji może doprowadzić do uszkodzenia urządzenia;
8. Nie wolno umieszczać kamery na niestabilnych powierzchniach lub nie zalecanych przez producenta uchwytych. Źle zamocowana kamera może być przyczyną groźnego dla ludzi wypadku lub sama ulec poważnemu uszkodzeniu. Kamera musi być instalowana przez wykwalifikowany personel o odpowiednich uprawnieniach według zaleceń podanych w niniejszej instrukcji;
9. Urządzenie może być zasilane jedynie ze źródeł o parametrach zgodnych ze wskazanymi przez producenta w danych technicznych kamery. Dlatego też, zabrania się zasilania kamery ze źródeł o nieznanych, niestabilnych lub niezgodnych z wymaganiami określonymi przez producenta parametrach;

## WARUNKI BEZPIECZEŃSTWA

---

---

10. Przewody sygnałowe i zasilające powinny być prowadzone w sposób wykluczający możliwość ich przypadkowego uszkodzenia. Szczególną uwagę należy zwrócić na miejsce wyprowadzenia przewodów z kamery oraz na miejsce przyłączenia do źródła zasilania.
11. W celu uniknięcia uszkodzenia urządzenia, cały tor wizyjny powinien być wyposażony w prawidłowo wykonane układy ochrony przed zakłóceniami, przepięciami i wylądowaniami atmosferycznymi. Zalecane jest również stosowanie transformatorów separujących.
12. Instalacja elektryczna zasilająca kamerę powinna być zaprojektowana z uwzględnieniem wymagań podanych przez producenta tak, aby nie doprowadzić do jej przeciążenia;
13. Użytkownik nie może dokonywać żadnych napraw lub modernizacji urządzenia. Wszystkie naprawy mogą być wykonywane jedynie przez wykwalifikowanych pracowników autoryzowanego serwisu;
14. Należy niezwłocznie odłączyć kamerę od źródła zasilania i przewodów sygnałowych oraz skontaktować się z właściwym serwisem w następujących przypadkach:
- Uszkodzenia przewodu zasilającego lub wtyczki tego przewodu;
  - Przedostania się cieczy do środka urządzenia lub gdy zostało ono narażone na silny uraz mechaniczny;
  - Urządzenie działa w sposób odbiegający od opisanego w instrukcji, a regulacje dopuszczone przez producenta i możliwe do samodzielnego przeprowadzenia przez użytkownika nie przynoszą spodziewanych rezultatów;
  - Obudowa została uszkodzona;
  - Można zaobserwować nietypowe zachowanie kamery.
15. W przypadku konieczności naprawy urządzenia należy upewnić się, czy pracownicy serwisu użyli oryginalnych części zamiennych o charakterystykach elektrycznych zgodnych z wymaganiami producenta. Nieautoryzowany serwis i nieoryginalne części mogą być przyczyną powstania pożaru lub porażenia prądem elektrycznym;
16. Po wykonaniu czynności serwisowych należy przeprowadzić testy urządzenia i upewnić się co do poprawności działania wszystkich podzespołów funkcjonalnych kamery.

Przed wykonaniem czynności, która nie jest przewidziana dla danego Produktu w instrukcji obsługi, innych dokumentach dołączonych do Produktu lub nie wynika ze zwykłego przeznaczenia Produktu, należy, pod rygorem wyłączenia odpowiedzialności Producenta za następstwa takiej czynności, skontaktować się z Producentem.

**Producent zastrzega sobie możliwość wystąpienia błędów w druku oraz zmian parametrów technicznych bez uprzedniego powiadomienia.**



## INFORMACJE WSTĘPNE

---

---

### 1. ZAWARTOŚĆ ZESTAWU

- kamera
- instrukcja obsługi
- klucz imbusowy
- kabel do dodatkowego złącza wideo
- wkręty 3 szt.

Przed przystąpieniem do instalacji należy sprawdzić zawartość zestawu z powyższym wykazem. W przypadku stwierdzenia braków należy zaniechać instalacji i skontaktować się z dystrybutorem.

pl

### 2. CHARAKTERYSTYKA OGÓLNA

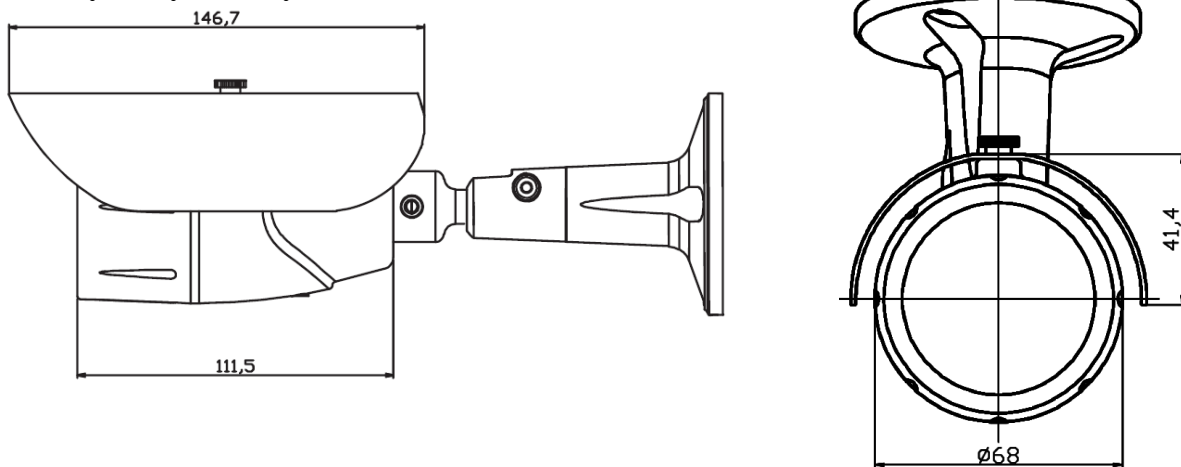
- Mechaniczny filtr podczerwieni
- Możliwość pracy w podczerwieni
- Rozdzielczość pozioma: do 700 TVL
- Czułość: od 0.00002 lx/F=1.2 (DSS) (0 lx IR wł.)
- Wydłużony czas ekspozycji (DSS)
- WDR - szeroki zakres dynamiki
- HLC - funkcja redukująca efekt oślepienia kamery
- DIS - cyfrowa stabilizacja obrazu
- DNR - cyfrowa redukcja szumu
- Typ obiektywu: z automatyczną przysłoną typu D, f=2.5~12 mm
- 12 stref prywatności
- Dodatkowe funkcje: ustawienie ostrości obrazu, odbicie lustrzane i obrót obrazu o 180°, detekcja ruchu (4 strefy)
- Wbudowany oświetlacz podczerwieni - 30 diod LED
- Wbudowana grzałka (NVC-GDN3810H/IRH)
- Klasa szczelności: IP 66
- Zasilanie: 12 VDC

**DANE TECHNICZNE****3. DANE TECHNICZNE**

Model	NVC-GDN3810H/IR	NVC-GDN3810H/IRH
Przetwornik obrazu	matryca CCD, 1/3" SONY EXview HAD II	
Rozdzielczość pozioma	650 TVL - tryb kolorowy, 700 TVL - tryb czarno-biały	
Czułość	0.1 lx/F=1.2 - tryb kolorowy (1/50 s), 0.01 lx/F=1.2 - tryb czarno-biały (1/50s), 0.0002 lx/F=1.2 - tryb kolorowy DSS, 0.00002 lx/F=1.2 - tryb czarno-biały DSS, 0 lx (IR włączony) - tryb czarno-biały	
Stosunek sygnału do szumu	52 dB (wyłączona ARW)	
Elektroniczna migawka	automatyczna: 1/50 s ~ 1/120 000 s	
Wydłużona migawka (DSS)	1/25 s ~ 10.24 s	
ARW (AGC)	włączona/wyłączona (2 poziomy)	
Szeroki zakres dynamiki (WDR)	włączony/wyłączony	
Balans bieli	5 trybów: manualny/automatyczny z zapamiętaną wartością referencyjną/dla oświetlenia naturalnego/dla oświetlenia sztucznego/automatyczny w szerokim zakresie temperatury barwowej	
Kompensacja jasnego tła (BLC)	włączona/wyłączona (3 poziomy)	
Redukcja efektu oślepienia kamery (HLC)	włączona/wyłączona (3 poziomy)	
Synchronizacja	wewnętrzna	
Tryb przełączania dzień/noc	automatyczny/manualny	
Opóźnienie załączenia filtru	3 s/5 s/7 s/10 s/15 s/20 s/30 s/40 s/60 s	
Redukcja migotania	włączona/wyłączona	
Strefy prywatności	12	
Typ obiektywu	z automatyczną przysłoną typu D, f=2.5~12 mm	
Poziomy kąt widzenia obiektywu	28° ~ 102°	
Oświetlacz podczerwieni	LED - 30 szt.	
Zasięg oświetlacza podczerwieni	30 m	
Menu kamery	wyświetlane na ekranie monitora (w języku polskim)	
Dodatkowe funkcje	DIS - cyfrowa stabilizacja obrazu, DNR - cyfrowa redukcja szumów, detekcja ruchu, tworzenie efektów: odbicie lustrzane i obrót obrazu o 180°, ustawienie ostrości obrazu	
Klasa szczelności	IP 66	
Wyjście sygnału wideo	BNC, 1.0 Vp-p, 75 Ohm	
Zasilanie	12 V DC± 10%	
Pobór mocy	4.6W, 5.4W (IR wł.)	4.6 W, 5.4W (IR wł.), 7.4W (IR wł. i grzałka wł.)
Temperatura pracy	-10°C ~ 50°C	-40°C ~ 50°C
Wymiary (mm)	66 (Ø) x 296 (dł.)	
Masa	600 g	610 g

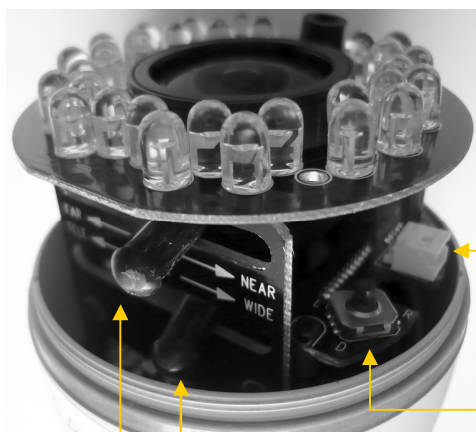
## DANE TECHNICZNE

### 3.1 Wymiary kamery



### 3.2. Wygląd kamery, rozmieszczenie elementów kamery

Widok po odkręceniu nakrętki ochronnej:



Dźwignia regulacji ogniskowej

Dźwignia regulacji ostrości

Dodatkowe złącze wideo

Joystick realizujący funkcje góra/dół/prawo/lewo/set up

Czujnik światła



Diody IR LED

## INSTALACJA

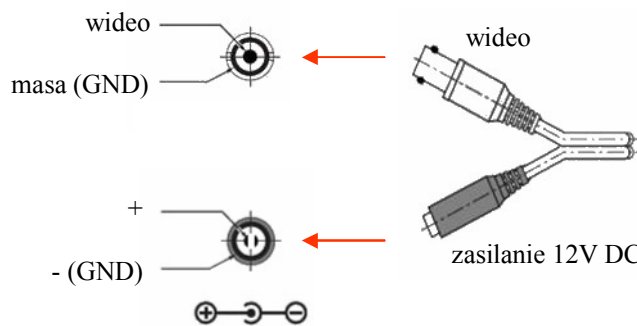
---

---

### 4.3 Podłączanie zasilania

**Uwaga:** Kamery należy zasilać ze źródeł o odpowiednim napięciu i wydajności prądowej. Zastosowanie źródła zasilania o nieodpowiednich parametrach może skutkować nieprawidłową pracą urządzenia lub jego uszkodzeniem.

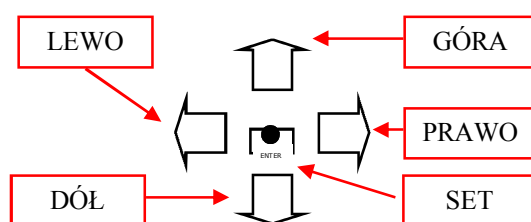
- NVC-GDN3810H/IR jest zasilana napięciem 12V DC. Sposób podłączenia zasilania do terminala złącz zaciskowych przedstawiony jest poniżej



## 5. USTAWIENIA

Kamera posiada menu ekranowe wyświetlane na tle obrazu. Podczas normalnej pracy kamery na obrazie mogą być wyświetlane informacje statusowe.

Jak wspomniano wcześniej do nawigowania po menu ekranowym i dokonywania zmian służy joystick dostępny po odkręceniu nakrętki i realizujący następujące polecenia:



W celu wejścia do menu należy przycisnąć joystick co odpowiada wykonaniu komendy SET. W celu wyboru poszczególnych podmenu należy nacisnąć GÓRA, DÓŁ. Jeżeli przy podmenu znajduje się symbol ↵ oznacza to możliwość wejścia do jego ustawień poprzez SET. W celu zmiany parametrów wybranych pozycji należy nacisnąć LEWO, PRAWO.

W celu opuszczenia menu głównego należy wybrać pozycję **WYJŚCIE** i nacisnąć SET. W zależności od wybranego trybu (wartość po prawej stronie pozycji **WYJŚCIE**) opuszczenie głównego menu może mieć różny charakter:

- wybranie opcji **ZAPISZ** i naciśnięcie SET powoduje, że dokonane zmiany zostają zapisane i po restarcie kamery będą nadal obowiązywać
- wybranie opcji **NIE ZAPISZ** i naciśnięcie SET powoduje, że dokonane zmiany mają charakter tymczasowy i po restarcie kamery zostaną anulowane
- wybranie opcji **RESET** i naciśnięcie SET powoduje, że wszystkie ustawienia zostają zastąpione ustawieniami domyślnymi

W celu wyjścia z podmenu należy wybrać pozycję **RETURN** i nacisnąć przycisk SET lub w przypadku, gdy na dole ekranu wyświetlana jest informacja **NACIŚNIJ SET ABY WRÓCIĆ** w celu opuszczenia podmenu należy jedynie nacisnąć przycisk SET. Po minucie bezczynności operatora w menu kamera automatycznie wychodzi z trybu programowania.

### 5.1 Menu główne

Aby wejść do menu kamery należy przycisnąć SET. Na ekranie zostanie wyświetlone poniższe menu główne.

KONFIGURACJA GŁÓWNA	
▶ 1.OBIEKTYW	DC↵
2.EKSPOZYCJA↵	
3.BALANS BIELI	ATW
4.SSDR	WYŁ
5.BLC/HLC	WYŁ
6.DNR3	WŁ↵
7.DZIEŃ/NOC	AUTO↵
8.SPECJALNE↵	
9.WYJŚCIE	ZAPISZ



**RĘCZNIE** Ręczne ustawienia prędkości otwarcia migawki. W trybie tym po naciśnięciu przycisku **SET** można ustawić wartość migawki (**MIGAWKA**) w zakresie od 1/120000s do 512 x (1/50s).

**AGC** Funkcja automatycznej regulacji wzmocnienia. Przy wybranym **WYŁ** funkcja jest wyłączona. Przy wybranym **NISKI** funkcja pracuje w trybie o mniejszej czułości na zmiany oświetlenia. Przy wybranym **WYSOKI** funkcja pracuje w trybie o większej czułości na zmiany oświetlenia. Należy pamiętać, że zwiększanie wzmocnienia powoduje rozjaśnianie obrazu użytecznego ale również zwiększanie poziomu szumów.

**SENS-UP** Funkcja zwolnionej migawki. **WYŁ** - funkcja nieaktywna, **AUTO** - automatycznie wydłużany czas otwarcia migawki przy słabym oświetleniu. W trybie tym po naciśnięciu przycisku **SET** można ustawić krotność podstawowego czasu otwarcia 1/50s (**AUTO**) w zakresie od x2 do x512.

Funkcja nie jest aktywna, gdy wyłączona jest automatyczna regulacja wzmocnienia lub tryb pracy migawki ustawiony jest jako **A.FLK** lub **RĘCZNIE**.

Należy pamiętać, że wraz z wydłużaniem czasu migawki obraz staje się coraz jaśniejszy ale jednocześnie wzrasta poziom szumów i „smużenie” obiektów poruszających się.

### 5.1.3 Podmenu **BALANS BIELI**

Funkcja balansu bieli pozwala na właściwą interpretację kolorów dla światła o różnej temperaturze barwowej.

**WHITE BAL** Trybu pracy balansu bieli.

**ATW** Automatyczne ustawienie poziomu bieli z ciągłym śledzeniem temperatury barwowej w zakresie 1700°K~11000°K.

**RĘCZNIE** Tryb ustawień ręcznych. W przypadku nieprawidłowego odwzorowania kolorów dla trybów **ATW**, **AWC** można ręcznie ustawić poziom składowych kolorów: czerwonej (**RGAIN**) i niebieskiej (**BGAIN**). Zakres regulacji poszczególnych składowych wynosi od 0 do 900 i jest obrazowany za pomocą wyświetlanych suwaków. Zmiany składowych widoczne są w obrazie na bieżąco. Suwaki zmiany składowych są aktywne jedynie w trybie ręcznym funkcji balansu bieli.

**AWC**→**WŁ** Adaptacyjne ustawienia balansu bieli. W celu uzyskania optymalnych ustawień balansu bieli należy skierować kamerę na białą kartkę papieru i nacisnąć przycisk **SET**. W przypadku zmiany parametrów oświetlenia (zmiana świetlówek na światła żarowe, dziennego na sztuczne itp.) procedurę należy powtórzyć.

**OŚW.ZEWN.** Automatyczne ustawienie poziomu balansu bieli w zakresie temperatury barwowej 1700°K~11000°K (ustawienie to jest zalecane, gdy światło oświetlające obserwowaną przez kamerę scenę pochodzi min. ze źródeł sodowych).

**OŚW.WEWN.** Automatyczne ustawienie poziomu balansu bieli w zakresie temperatury barwowej 4500°K~8500°K(ustawienie to jest zalecane, gdy kamera eksploatowana jest wewnątrz pomieszczeń).

## USTAWIENIA

### 5.1.4 Podmenu **SSDR** (szeroki zakres dynamiki WDR)

Funkcja pozwala na efektywną obserwację sceny o dużym zróżnicowaniu poziomu oświetlenia. Może zostać włączona **WŁ** lub wyłączona **WYŁ**. W przypadku, gdy funkcja zostanie włączona po naciśnięciu przycisku SET dostępne jest podmenu umożliwiające dostosowanie poziomu jej działania w zakresie od 1 do 15.

### 5.1.5 Podmenu **BACKLIGHT**

Funkcje kompensacji jasnego tła pozwalają uwypuklić obiekt znajdujący się na pierwszym planie w obrazie przy silnie oświetlonym tle (BLC), lub obserwować obiekty znajdujące się w pobliżu silnych punktowych źródeł światła (HLC).

**BLC/HLC** Tryb kompensacji jasnego tła.

**WYŁ** Kompensacja jasnego tła wyłączona.

**BLC** Funkcja kompensacji jasnego tła pozwalająca uwypuklić obiekt znajdujący się na pierwszym planie w obrazie przy silnie oświetlonym tle. W trybie tym po naciśnięciu przycisku SET dostępne jest poniższe podmenu.

KONFIGURACJA BLC	
► POZIOM	WYSOKI
GÓRA	■■■■■■■■■■ 109
DÓŁ	■■■■■■■■■■ 54
LEWO	■■■■■■■■■■ 121
PRAWO	■■■■■■■■■■ 121
NACIŚNIJ SET ABY WRÓCIĆ	

Powyższe podmenu pozwala na ustawienie rozmiaru i położenia obszaru, w którym funkcja kompensacji jasnego tła będzie aktywna oraz na ustawienie poziomu intensywności działania funkcji.

**POZIOM** Dostosowanie intensywności działania funkcji.

**NISKI** Poziom niski.

**ŚRODEK** Poziom średni.

**WYSOKI** Poziom wysoki.

**GÓRA** Przesunięcie górnej krawędzi obszaru w górę lub w dół.

**DÓŁ** Przesunięcie dolnej krawędzi obszaru w górę lub w dół.

**LEFT** Przesunięcie lewej krawędzi obszaru w prawo lub lewo.

**RIGHT** Przesunięcie prawej krawędzi obszaru w lewo lub prawo.



**HLC** Funkcja kompensacji jasnych źródeł światła mogących oślepić kamerę. W momencie, gdy na ekranie pojawi się znacznie jaśniejsze od otoczenia źródło światła, zostanie ono wyeliminowane (poprzez zasłonięcie) co umożliwi efektywną obserwację sceny. Funkcja ta jest bardzo przydatna, w przypadku obserwacji np. tablic rejestracyjnych samochodów.

W trybie tym po naciśnięciu przycisku SET dostępne jest poniższe podmenu.

KONFIGURACJA HLC	
► <b>POZIOM</b>	<b>WYSOKI</b>
<b>LIMIT</b>	<b>TYLKO NOC</b>
<b>MASKA KOLOR</b>	<b>BIAŁY</b>
<b>MASK. TON</b>	xXXXXXXXXXXXX 1
<b>GÓRA</b>	xXXXXXXXXXXXX 5
<b>DÓŁ</b>	XXXXXXXXXXXXX 120
<b>LEWO</b>	xXXXXXXXXXXXX 5
<b>PRAWO</b>	XXXXXXXXXXXXX 172
<b>NACIŚNIJ SET ABY WRÓCIĆ</b>	

Powyższe podmenu pozwala na ustawienie rozmiaru i położenia obszaru, w którym przez funkcję HLC analizowany będzie poziom oświetlenia oraz na ustawienie pozostałych opcji funkcji HLC opisanych poniżej.

**POZIOM** Dostosowanie intensywności działania funkcji.

**NISKI** Poziom niski.

**ŚRODEK** Poziom średni.

**WYSOKI** Poziom wysoki.

**LIMIT** Wybór poziomu oświetlenia aktywującego funkcję.

**CAŁA DOBA** Funkcja aktywowana jest przy małej różnicy poziomów oświetlenia.

**TYLKO NOC** Funkcja aktywowana jest przy dużej różnicy poziomów oświetlenia.

**MASKA KOLOR** Wybór koloru obszaru maskującego

**BIAŁY**

**CZERWONY**

**NIEBIESKI**

**NIEB-ZIEL**

**RÓŻOWY**

**MASK. TON** Wybór intensywności maskowania.

## USTAWIENIA

---

- GÓRA** Przesunięcie górnej krawędzi obszaru w górę lub w dół.  
**DÓŁ** Przesunięcie dolnej krawędzi obszaru w górę lub w dół.  
**LEWO** Przesunięcie lewej krawędzi obszaru w prawo lub lewo.  
**PRAWO** Przesunięcie prawej krawędzi obszaru w lewo lub prawo.

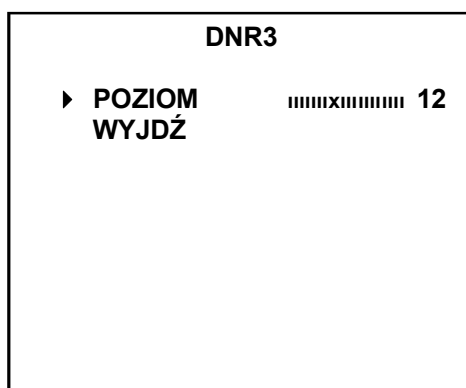
Uwaga: Funkcja **HLC** aktywuje się ona automatycznie, gdy poziom oświetlenia obserwowanej sceny jest wystarczająco niski oraz, gdy na ekranie pojawi się znacznie jaśniejsze punktowe źródło światła.

Aby funkcja **HLC** działała naprawdę efektywnie należy zwrócić uwagę na odpowiednią wysokość oraz kąt montażu kamery względem obserwowanej sceny.

### 5.1.6 Podmenu **DNR3** (Cyfrowa Redukcja Szumów)

- DNR** Funkcja cyfrowej redukcji szumów.  
**WŁ** Cyfrowa redukcja szumów włączona.  
**WYŁ** Cyfrowa redukcja szumów wyłączona.

Po wybraniu **ON** oraz naciśnięciu przycisku **SET** pojawi się poniższe menu umożliwiające dostosowanie poziomu cyfrowej redukcji szumów.



Uwaga: Podczas działania cyfrowej redukcji szumów może dojść do nieznacznego pogorszenia rozdzielczości obrazu użytecznego.

Przy wyłączonej funkcji automatycznej regulacji wzmocnienia **AGC**, funkcja cyfrowej redukcji szumów nie jest dostępna.

5.1.7 Podmenu **DZIEŃ / NOC**

**DZIEŃ / NOC** Wybór trybu pracy automatycznego filtra podczerwieni

**AUTO** Kamera automatycznie przechodzi z trybu kolorowego w tryb czarno-biały i odwrotnie wraz ze zmieniającymi się warunkami oświetleniowymi. Dla tej opcji po naciśnięciu przycisku SET dostępne jest poniższe podmenu.

KONFIGURACJA TRYBU AUTO	
▶ 1. TRYB BURST	WYŁ
2. KOLOR→CZ/B	
CZAS TRWANIA	SZYBKI
CZAS ZWŁOKI	5 SEK
3. CZ/B →KOLOR	
CZAS TRWANIA	SZYBKI
CZAS ZWŁOKI	5 SEK
4. WYJDŹ←	

**TRYB BURST** Włączenie (**WŁ**) lub wyłączenie (**WYŁ**) sygnału BURST (wskaźnik obecności kolorów).

**KOLOR→CZ/B** Ustawienia przełączania kamery z trybu kolorowego w czarno-biały.

**CZAS TRWANIA** Wybór prędkości przełączania się kamery pomiędzy trybem pracy kolorowym a czarno-białym. Do wyboru są dwie opcje **SZYBKI**- szybko, **WOLNY** - wolno

**CZAS ZWŁOKI** Ustawianie opóźnienia przełączania się kamery pomiędzy trybem pracy kolorowy a czarno-białym w zakresie od 3 do 60 sekund

**CZ/B→KOLOR** Ustawienia przełączania kamery z trybu czarno-białego w kolorowy.

**CZAS TRWANIA** Wybór prędkości przełączania się kamery pomiędzy trybem pracy czarno-białym a kolorowym. Do wyboru są dwie opcje **SZYBKI**- szybko, **WOLNY** - wolno.

**CZAS ZWŁOKI** Ustawianie opóźnienia przełączania się kamery pomiędzy trybem pracy czarno-białym a kolorowy w zakresie od 3 do 60 sekund

**ZEWNĘTRZNY** Opcja niedostępna

**KOLOR** Kamera na stałe pracuje w trybie kolorowym.

**CZ/B** Kamera na stałe pracuje w trybie czarno-białym. Dla tej opcji dostępne jest podmenu umożliwiające włączenie lub wyłączenie sygnału BURST (wskaźnik obecności kolorów).

## USTAWIENIA

### 5.1.8 Podmenu **SPECJALNE**

Podmenu pozwala na konfigurację dostępnych funkcji dodatkowych.

SPECJALNE	
1. KONF. OBRAZU←	
2. NAZWA	WYŁ
3. SYNC.	WEW.
4. DET. RUCHU	WYŁ
5. PRYWATNOŚĆ	WYŁ
6. DIS	WYŁ
7. PROFIL	UŻYTKOWNIK
8. KOMUNIKACJA ←	
9. WYJDŹ←	

**KONF. OBRAZU** Podmenu pozwala na konfigurację dodatkowych funkcji obrazu.

**MONITOR** Podmenu pozwala na konfigurację parametrów obrazu kamery w zależności od rodzaju użytego monitora.

**LCD** Opcję należy wybrać w przypadku wyświetlania obrazu z kamery na monitorze LCD. Po naciśnięciu przycisku SET dostępne jest podmenu umożliwiające konfigurację parametrów wyświetlania dla monitora LCD.

**UŻYTKOWNIK** Opcję tę należy wybrać w przypadku wyświetlania obrazu z kamery na niestandardowym monitorze.

**CRT** Opcję należy wybrać w przypadku wyświetlania obrazu z kamery na monitorze CRT. Po naciśnięciu przycisku SET dostępne jest podmenu umożliwiające konfigurację parametrów wyświetlania dla monitora CRT.

**ODBICIE** Funkcja odbicia obrazu

**WYŁ** - Funkcja wyłączona.

**POZ** - Funkcja odbicia obrazu względem osi pionowej (odbicie lustrzane).

**PION** - Funkcja odbicia obrazu względem osi poziomej.

**POZ/PIO** - Funkcja odwrócenia obrazu o 180stopni.

**PIP** - Funkcja wyświetlania małego okna z oryginalnym obrazem, wykorzystywana gdy kamera pracuje w trybie zoomu cyfrowego. W ustawieniach można określić pozycję okna na obrazie

**ZOOM CYFROWY** Funkcja zoomu cyfrowego. Po wybraniu pozycji **WŁ** i naciśnięciu przycisku SET mamy możliwość ustawienia poziomego zbliżenia cyfrowego w zakresie od x1.0 do x16.

Uwaga: Włączenie funkcji cyfrowej stabilizacji obrazu powoduje częściowe zawężenie pola widzenia kamery.

Funkcja DIS może spowodować niewielkie obniżenie rozdzielczości obrazu generowanego przez kamerę.

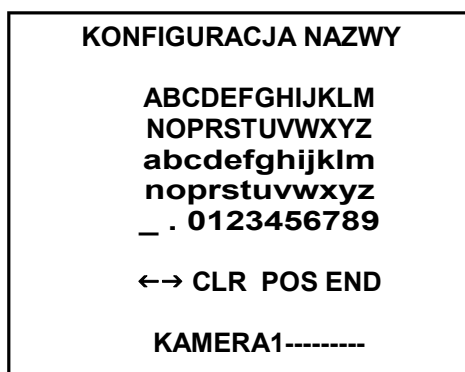
**KOLOR CZCIONKI** Wybór koloru paska podświetlającego aktualnie wybraną pozycję w menu.

**OSTROŚĆ** Funkcja umożliwiająca dostosowanie ostrości obrazu. Po wybraniu pozycji **WŁ** i naciśnięciu przycisku SET mamy możliwość ustawienia poziomu ostrości w zakresie od 1 do 20. Zwiększenie wartości tej funkcji spowoduje, że krawędzie obserwowanych obiektów będą bardziej wyraźne.

Uwaga: Jeśli ustawiony poziom ostrości będzie zbyt wysoki obraz może stać się mniej wyraźny.

**JĘZYK** Wybór języka OSD z spośród dostępnych: ANGIELSKI, CHIŃSKI UPROSZCZONY, NIEMIECKI, WŁOSKI, FRANCUSKI, HISZPAŃSKI, ROSYJSKI, CZESKI, POLSKI, RUMUŃSKI, SERBSKI, SZWEDZKI, DUŃSKI, TURECKI, PORTUGALSKI, TAJSKI.

**NAZWA** Po wybraniu pozycji **WŁ** i naciśnięciu przycisku SET mamy możliwość ustawienia ciągu znaków wyświetlanych na ekranie jako np. nazwa danej kamery. Możliwe jest wprowadzenie do 15 znaków. Znaki wybiera się nawigując po wirtualnej klawiaturze.



Główną część zajmują znaki alfanumeryczne, które można użyć w nazwie. Zatwierdzenie znaku odbywa się poprzez naciśnięcie przycisku SET po wybraniu znaku. Aktualnie edytowana nazwa wyświetlana jest na samym dole okna. Jeden wiersz powyżej zgrupowane są ikony funkcyjne. Aby uruchomić działanie poszczególnych funkcji należy, tak jak normalne znaki, wybrać kursorami i zatwierdzić przyciskiem SET. Działanie poszczególnych funkcji jest następujące:

← Przeszczanie kursora w lewo po poszczególnych znakach nazwy.

→ Przeszczanie kursora w prawo po poszczególnych znakach nazwy

**POS** Wejście do podmenu umożliwiającego ustawienie przy pomocy strzałek pozycji wyświetlania zaprogramowanego ciągu znaków.

**CLR** Wykasowanie całej wprowadzonej dotychczas nazwy.

**END** Wyjście z trybu edycji nazwy.

**SYNC** Wybór trybu synchronizacji. **WEW.** - Synchronizacja wewnętrzna.

## USTAWIENIA

**DET. RUCHU** Podmenu pozwala na włączenie (poprzez wybranie **WŁ**) wbudowanej w kamerze funkcji detekcji ruchu. Detekcja może być sprawdzana w ośmiu niezależnych strefach o zdefiniowanej przez użytkownika powierzchni i położeniu. Aktywacja funkcji detekcji ruchu powoduje wyświetlenie napisu **WYKRYTO RUCH** na tle obrazu z kamery.

Po wybraniu pozycji **WŁ** i naciśnięciu przycisku **SET** pojawi się poniższe podmenu pozwalające dopasować ustawienia dotyczące funkcji detekcji ruchu.

DETEKCJA RUCHU	
1. CZUŁOŚĆ	AREA1
2. TRYB STREFY	WŁ
3. SEL POS	L_GÓRA
4. POZYCJA X	XXXXXXXXXX 3
5. POZYCJA Y	XXXXXXXXXX 5
6. FILL→SET	
8. RETURN←	

**CZUŁOŚĆ** Wybór jednej z ośmiu dostępnych stref wykrywania ruchu (**AREA1**, **AREA2**, **AREA3**, **AREA4**). Każda z w/w stref charakteryzuje się innym kolorem oraz poziomem czułości detekcji ruchu. Im wyższy numer strefy tym poziom czułości jest wyższy.

**TRYB STREFY** Włączenie (**WŁ**) lub wyłączenie (**WYŁ**) danej strefy detekcji ruchu.

**SEL POS** Wybór rogu danej strefy, którego położenie będzie zmieniane.

**L\_DÓŁ** Lewy dolny róg strefy.

**R\_DÓŁ** Prawy dolny róg strefy.

**L\_GÓRA** Lewy górny róg strefy.

**R\_GÓRA** Prawy górny róg strefy.

**POZYCJA X** Zmiana położenia wybranego rogu strefy względem osi pionowej.

**POZYCJA Y** Zmiana położenia wybranego rogu strefy względem osi poziomej.

**FILL→SET** Po naciśnięciu w tej pozycji przycisku **SET**, aktualnie wybrana strefa detekcji ruchu stanie się widoczna na pierwszym planie.

Uwaga: Zaleca się wyłączenie stref prywatności przed przystąpieniem do definiowania stref detekcji ruchu.

**DIS** Włączenie (**WŁ**), wyłączenie (**WYŁ**) cyfrowej stabilizacji obrazu. Funkcja ta pozwala na wyeliminowanie drobnych drgań obrazu kamery spowodowanych silnymi podmuchami wiatru lub innymi czynnikami mogącymi wywołać drganie kamery.

**PRYWATNOŚĆ** Pozwala na włączenie (poprzez wybranie **WŁ**) stref prywatności. Część sceny może być maskowana za pomocą dwunastu prostokątnych stref.

Po wybraniu pozycji **WŁ** i naciśnięciu przycisku **SET** pojawi się poniższe podmenu pozwalające dopasować ustawienia dotyczące funkcji stref prywatności.

KONF. STREF PRYWATNOŚCI	
1. WYBÓR STREFY	AREA1
2. TRYB	OFF
3. KOLOR MASK.	ZIELONY
4. TON MASK.	■■■■■■■■■■■■■■■■■■■■ 1
5. GÓRA	■■■■■■■■■■■■■■■■■■■■ 39
6. DÓŁ	■■■■■■■■■■■■■■■■■■■■ 79
7. LEWO	■■■■■■■■■■■■■■■■■■■■ 13
7. PRAWO	■■■■■■■■■■■■■■■■■■■■ 52
8. RETURN	

**WYBÓR STREFY** Wybór jednej z dwunastu dostępnych stref prywatności (**AREA1, AREA2, AREA3 ... AREA12**).

**TRYB** Włączenie (**WŁ**) lub wyłączenie (**WYŁ**) danej strefy prywatności.

Po wybraniu **WŁ** oraz naciśnięciu przycisku **SET** pojawi się menu pozwalające dostosować rozmiar oraz położenie aktualnie wybranej strefy.

**KOLOR STREFY** Wybór koloru wszystkich stref prywatności z spośród następujących: **ZIELONY, CZERWONY, NIEBIESKI, BIAŁY, CZARNY, SZARY**.

**ODCIEŃ** Wybór poziomu przejrzystości dla wszystkich stref w zakresie od 1 do 10.

**GÓRA** Regulacja położenia górnego boku wybranej strefy prywatności.

**DÓŁ** Regulacja położenia dolnego boku wybranej strefy prywatności.

**LEWO** Regulacja położenia lewego boku wybranej strefy prywatności.

**PRAWO** Regulacja położenia prawego boku wybranej strefy prywatności.

**PROFIL** Pozwala wybrać predefiniowany tryb pracy kamery

**PODSTAWOWY** profil obejmuje ogólne warunki pracy

**DZIEŃ.NOC** profil zoptymalizowany do warunków pracy w dzień i noc.

**BACKLIGHT** profil zoptymalizowany do warunków jasnego tła

**ITS** profil zoptymalizowany do warunków ruchu miejskiego

**OŚW. WEWN.** profil zoptymalizowany do warunków wewnątrz pomieszczeń

**UŻYTKOWNIK** profil ustawień, wybrany przez użytkownika

**KOMUNIKACJA** Opcja niedostępna.

**noVus<sup>®</sup>**

2013-06-27 PR, MM

AAT Holding sp. z o.o., ul. Puławska 431, 02-801 Warszawa, Polska  
tel.: 22 546 07 00, faks: 22 546 07 59  
[www.novuscctv.com](http://www.novuscctv.com)